

LD26 & LD26A IP66

High Power Linear Reflector LED System



Data sheet - Page 1



LD26 is now offered in a re-designed IP66 rated housing to reduce the cost per metre. This makes it a far more cost effective solution for lighting walls in showers where IP54 is not a high enough rating, and IP68 is not cost effective. It is a reflector based linear system which has been designed to produce a continuous, even wash with the latest in LED technology. By mounting the LEDs within a linear reflector, there is no uneven spotting from lenses or loss of output from just using the LED itself. It comes in two versions, LD26 with a symmetric 82° reflector and the LD26A with an asymmetric reflector tilted at 8°.

Key Features

- Superb continuous lighting capabilities
- IP66 rated for bathrooms and showers
- Reflectors focus the light to where it is needed
- Custom made lengths as standard
- High power for its compact size
- Available with Switched, 0-10V, DMX or Dali drivers

Specification

Applications		
Beam Angles	LD26 IP66 - 82° & LD26A IP66 -82° with 8° tilt	
LED type	C1 Engine with NICHIA LED	
Colour temperature**	2700K / 2700K / 3000K / 4000K / 5000K	
Drive Current (mA)	350	500
LED power* (W)	1.2W	1.7W
CRI (typical)	93	93
Forward voltage (V) ₁₀₀	3.0V	3.2V
LED spacing	Delivered lm/m** (L ₁₀₀)	
50mm	2055	2806
75mm	1336	1823
100mm	1028	1402
Lumens per circuit watt***	84	81
LED lifetime	L90B5 at 90,000hrs	
Materials	Frosted polycarbonate end caps, polycarbonate clear tube, with silver anodised aluminium extrusion enclosed.	
Wiring	Comes pre-wired with 2m lead, can be specified with up to 10m at extra cost	
IP rating	IP66	

*LED wattage includes losses associated with using an 85% efficient driver

** Lumen output data applies to all colour temperatures.

***Data shown allows for 50mm spacing



LD26 & LD26A IP66

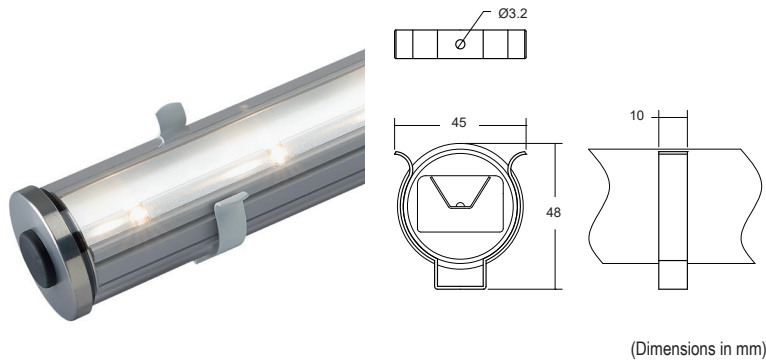
High Power Linear Reflector LED System



Data sheet - Page 2

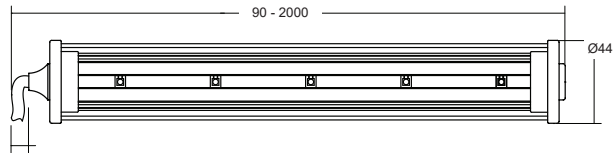
Fixing Options and Dimensions

/SC
Spring Clip Fixing



(Dimensions in mm)

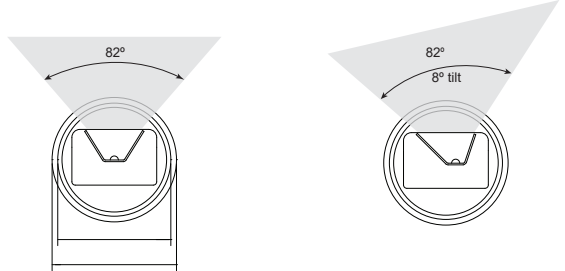
Custom made lengths



Reflector options

LD26
Symmetric

LD26A
Asymmetric



Photometrics

Photometric files are included in the design pack which can be downloaded from the LD26/LD26A IP66 product page on the website.

Order Codes and Options

Product code	LED colour	LED spacing	Product colour	Fixing option	Length
LD26(A)-C1-350 IP66 - 500 IP66	<input type="text"/>	<input type="text"/>	<input type="text"/>	<input type="text"/>	<input type="text"/>

Example: LD26-C1-500 IP66 / LW30 / 50 / Silver Anodised / SC / 1200mm

Product codes with output options	
1.2W LED at 350mA	LD26(A)-C1-350 IP66
1.7W LED at 500mA	LD26(A)-C1-500 IP66

LED colour options	Suffix
Super Warm White (2200K)	/LW22
Extra Warm White (2700K)	/LW27
Warm White (3000K)	/LW30
White (4000K) - on request	/LW40
Cool White (5000K)	/LW50

*Other LED colour temperatures are available. Please speak to a member of our sales team.

LED spacing	
50mm	/50
75mm	/75
100mm	/100

Product colour	
Silver anodised (end caps are frosted polycarbonate)	

Fixing options	
Spring clips	/SC

Use with 350mA and 500mA constant current LED drivers
We have a wide range of dimmable LED drivers, 0-10V, DMX, DALI and Mains dimmable. Please see the downloads section on our website.

